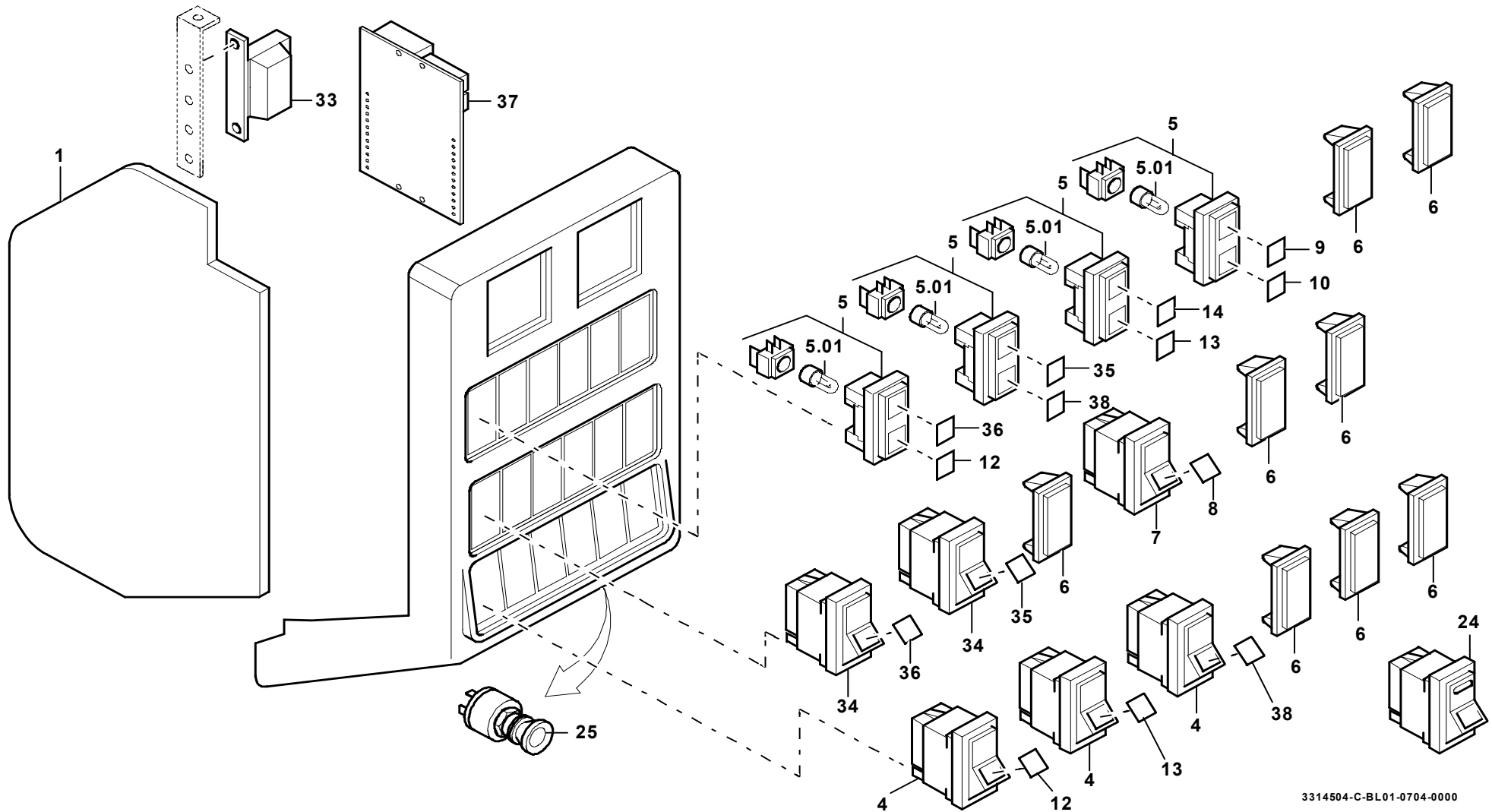


**GROVE**EINSCHUB 3.3 D  
SLIDE-IN UNIT 3.3 DBILDTADEL  
PICTORIAL DISPLAY

07.04

**3314504-ETL C**

1/1

**GMK 3050  
BE 630  
G 807**

3314504-C-BL01-0704-0000